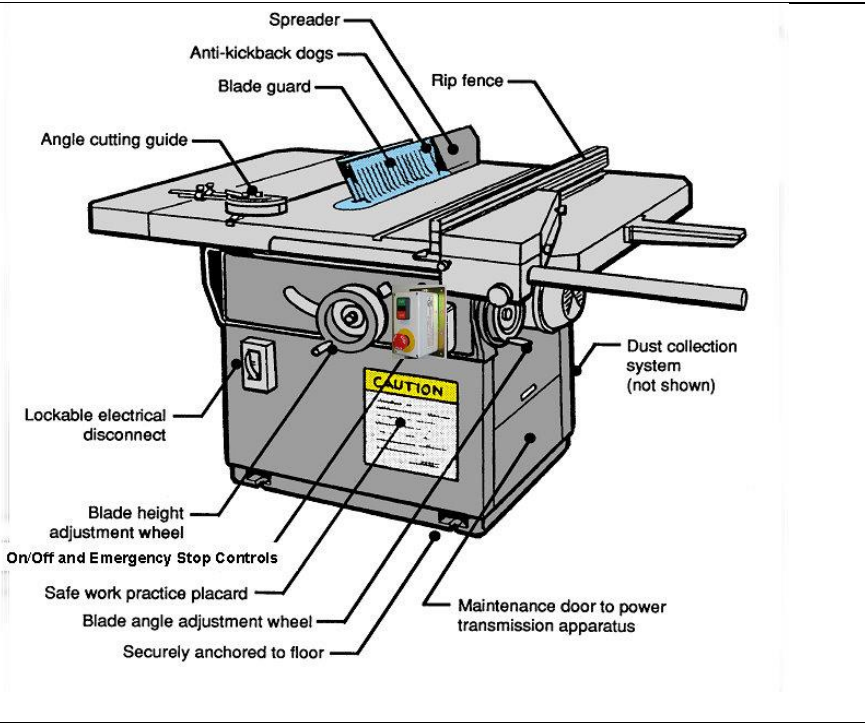


Table Saw Survey	
Machine Owner	Worksite
Surveyor's Name	Date of Survey
Supervisor's Name	Room Name or No.
Machine Manufacturer	
Model #	Serial No.
Supply Voltage	No. of Supply Phases (Circle One) 1 or 3
Horsepower	Full Load Amps



	Yes	No	N/A
1. Does the machine have an anti-kickback/splitter?			
2. Does the machine have a blade guard that maintains contact with the stock?			
3. Is the machine's table insert in good condition?			
4. Is the power transmission system guarded correctly?			
5. Are the electrical system, wires, and plug ends compliant?			
6. Does the machine have all OEM knobs, rods and handles?			
7. Does the machine have a latching, red, mushroom shaped E-stop that controls the motor?			
8. Does it have a system that will prevent automatic restart after power outage? (Power outage protection)			
9. Is the coasting time of the machine acceptable?			
10. Does the machine have a high friction coating at the operator's position?			
11. Does the machine have a high-friction coating at the take-out position on the floor?			
12. Is the machine secured to prevent moving or tipping?			

Notes
