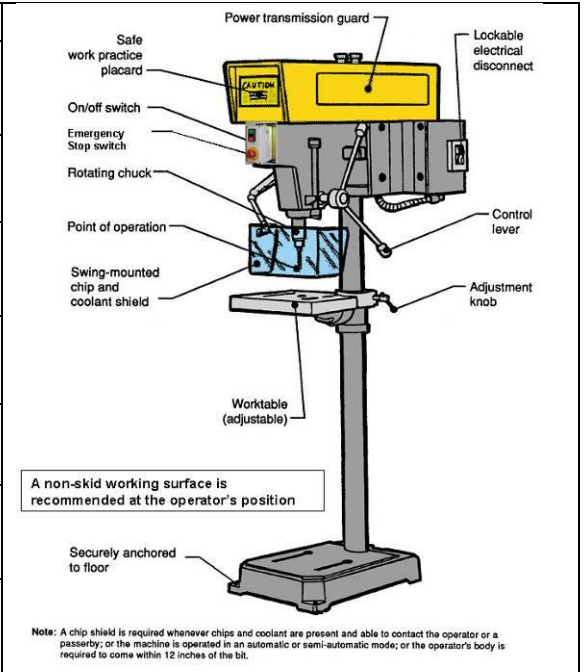


Drill Press Survey	
Machine Owner	Worksite
Surveyor's Name	Date of Survey
Supervisor's Name	Room Name or No.
Machine Manufacturer	
Model #	Serial No.
Supply Voltage	No. of Supply Phases (Circle One) <b>1 or 3</b>
Horsepower	Full Load Amps



	Yes	No	N/A
1. Are the openings at the top of the drill press properly guarded?			
2. Is the area around the motor properly guarded?			
3. Does the machine have all OEM knobs, rods, or handles?			
4. Does the machine have a proper chip shield?			
5. Are the electrical system, wires, and plug ends acceptable?			
6. Does it have a system that will prevent automatic restart after power outage? (Power outage protection)			
7. Does the machine have a compliant start/stop and a latching, red, mushroom shaped, E- stop that controls the motor?			
8. Can the machine be securely isolated from its power source?			
9. Is the work light properly protected against impact and shatter resistant?			
10. Does the machine have a high-friction coating at the operator's position on the floor?			
11. Is the machine secured to prevent moving or tipping?			

Notes

---



---



---



---